

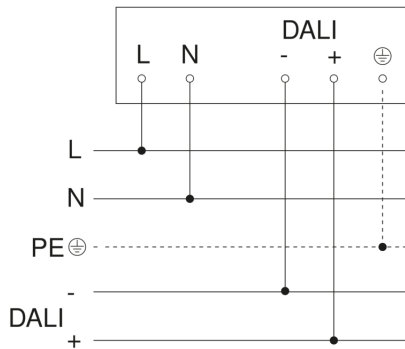
Motion detector - Professional Line

IS 345 MX Highbay

DALI-2 APC - surface, sq.
EAN 4007841 010591
Article number 010591



Master circuit diagram



Circuit diagram for interconnecting DALI-2 APC with DALI-2 IPD

